



CASE STUDY

California 39MWp Ground Mount Project

The Cantua and Giffen Solar Power plants in California were switched on the 25th of June 2012. Clenergy worked closed with Q-Cells, Engineering Procurement and Construction contractor, to deliver a strong, high-quality and competitive solution with the SolarTerrace II system for the end-customer PG&E.



Project Brief



Project	California 39MWp Ground Mount Project
Size	39MWp
Location	25.8MWp in Cantua 12.9MWp in Giffen
Owner	PG&E
EPC contractor	Q-cells
Module	164,736 QC-C05 panels from Q-Cells
Mounting System	SolarTerrace II
Completed	June, 2012

Specific Benefits for this Project

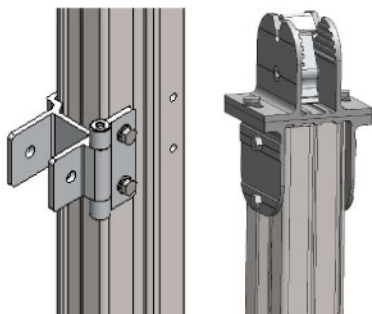


- Solar Terrace II is suited to most soil conditions
- Unique C-Post with an Epsilon (ϵ) Profile increasing the ground friction
- Passed all tests and Quality Standards
- System engineering, and Stamped Structural Calculations included
- Earthing lugs and clips provided
- Cable Clips provided
- Mounting System delivered to site on time

Product Details



- Wind Load: up to 88m/s (197mph)
- Snow Load: 1.1kN/m² (23psf)
- Applicable Module: Framed or frameless
- Module Orientation: Portrait or landscape
- Rail Material: Anodized aluminium
- C Post: Hot-dip galvanized steel
- Warranty: 10 years (product)



Simple Post Brace connection and pre-assembled Post Head design increase installation efficiency.



The support assembles with just one bolt.

