

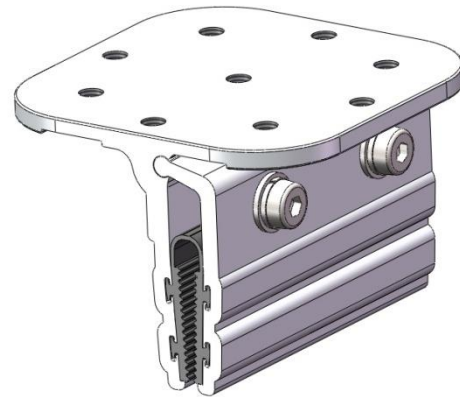
# PV-ezRack Solar

## Klip-lok Interface for longline 305

Special design for sheet roofs

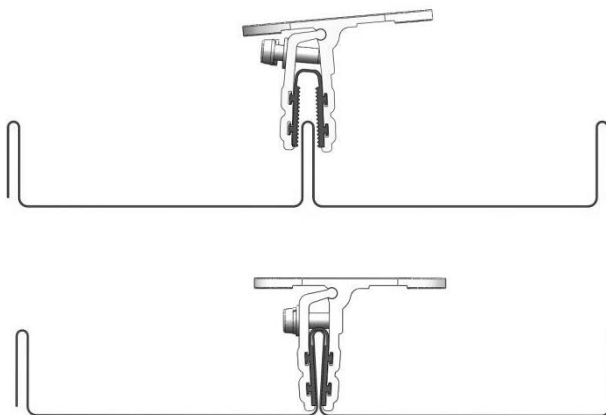
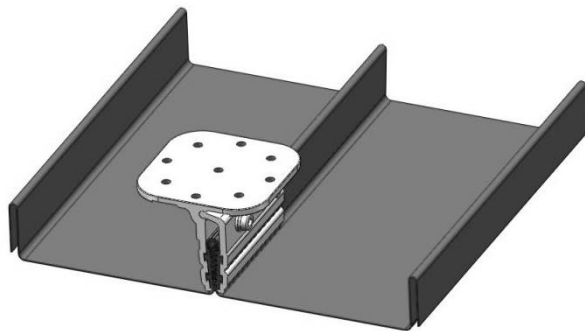
Clenergy is an innovative technology company that specializes in renewable energy products. We manufacture both standardized and customized solutions, complying with ISO 9001 standards in all manufacturing processes. Strict quality control over our products ensures a long life and outstanding performance.

The Klip-lok interface for longline designed by Clenergy is easy to install. The Klip Lok interface for longline is used for longline 305. It is designed that there is no need for penetration to the cladding.



**ER-I-29**

Specifications	
Material	AL/6005-T5 , SUS304, EPDM
Applicable Roof sheet	longline 305
Spec.(W*L*H)	100*100*75
Standards	AS/NZS1170
Warranty	10 years



### Quick installation

Please note that the product is only used for longline 305.

The Klip-lok interface consists of three main components: main hook, side hook, rubber pad and bolts.

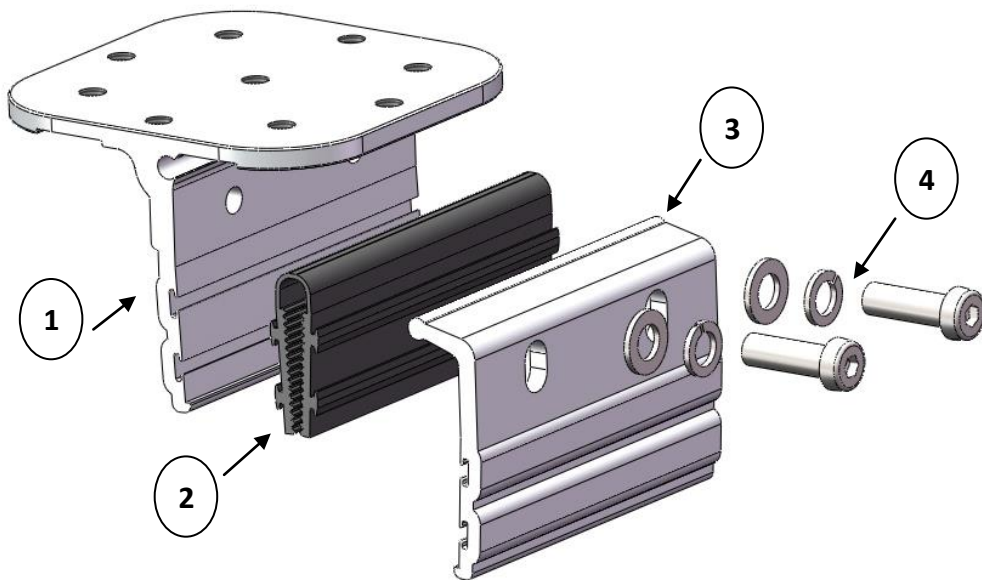
The Klip-lok interface can be combined with other products to create integrated and stable mounting systems.

Clenergy provides a guarantee of 10 years on the durability of materials.

# PV-ezRack Solar

## Klip-lok Interface for longline 305

### ER-I-29



1	Main Hook for Klip-lok Interface for longline 305
2	Rubber Pad for Klip-lok Interface for longline 305
3	Side Hook for Klip-lok Interface for longline 305
4	Hexagon Socket bolt M8*30